

Near-Instant Fault Recovery and Ultra-Reliable Multi-Hop Wireless Sensor Networks

Nabeel I. Sulieman, *Student Member, IEEE* and Richard D. Gitlin, *Life Fellow, IEEE*
Innovations in Wireless Information Networking Laboratory (iWINLAB)
Department of Electrical Engineering
University of South Florida
Tampa, Florida 33620, USA

Email: nis@mail.usf.edu, richgitlin@usf.edu

Abstract—Diversity and Network Coding (DC-NC), which is the synergistic combination of Diversity Coding and Network Coding, was recently introduced to provide near instant link failure recovery and efficient transmission in a wide variety of network architectures. In this paper, DC-NC is applied to a multi-hop Wireless Sensor Network (WSN) and Diversity Coding (DC) is applied within each link in a multi-hop WSN to enable extremely high reliability with very rapid recovery from wireless link/node failures and the loss of data stream(s) at each link and also provide efficient transmission, which are very important metrics for WSNs. Furthermore, the reliability and rapid fault recovery can be extended to broadcasting applications, along with increased throughput.

Keywords—Diversity Coding, Near-Instant Fault Recovery, Network Coding, reliability, Wireless Sensor Network

I. INTRODUCTION

A Wireless Sensor Network (WSN) contains two kinds of nodes a gateway node (central controller) and a sensor node [1]-[2]. In a WSN, one or more gateway nodes might be utilized and several sensor nodes are implemented at different locations [1]-[2]. A sensor node has a sensor that can monitor a specific kind of conditions such as motion, pressure, temperature, etc. [1]-[2]. Ultra-reliability and efficient transmission are required for the WSNs [1]. Data loss and link/node failures are some of the principle contributors that decrease system efficiency and reduce network reliability. In this paper, these two challenges are addressed and overcome for multi-hop WSNs. Reliability was improved in [4] by transmitting the same collected information via multiple sensor nodes to multiple gateway nodes. However, this will increase the redundancy by at least 100%. A more efficient approach is Diversity Coding (DC) [5]-[6], which is an open-loop coding technology that utilizes a forward error control technique over diverse paths and can easily and quickly recover from data loss and wireless link failures as soon as the failure is detected with no need to retransmit messages and perform rerouting. This will improve reliability with near-instant recovery time.

Diversity Coding was utilized to improve C-RAN (Cloud Radio Access Network) network performance by enhancing reliability with rapid link/node failure recovery [7]-[8]. Also, the ability of DC to recover from multiple simultaneous link failures is demonstrated in [8]. Although reliability and very rapid fault

recovery are very important metrics in WSNs, efficient transmission is another important factor that affects WSN performance. Network Coding (NC) [9] was shown to improve transmission efficiency.

Ultra-reliable networking with extremely fast fault recovery time and efficient transmission are simultaneously achieved for wireless fronthaul networks by DC-NC coding [10], a synergistic combination of Diversity Coding (DC) and Network Coding (NC). Also, DC-NC coding was applied to downlink Coordinated Multi Point (CoMP) within a C-RAN to enhance the wireless fronthaul reliability, enable ultra-low recovery time, and reduce wireless fronthaul resource consumption [11]. In addition, in [12], DC-NC was shown to provide a robust solution for link/node failures in Network Function Virtualization (NFV) for 5G communications. For simplicity, it was generally assumed that there are no multi-hop connections between the source and the destination. However, in actual networks, multi-hop connections are common.

The contribution of this paper is to extend the application of DC-NC coding to multi-hop WSNs and DC within each wireless link in WSNs and enable ultra-reliable networking, very low recovery time, and efficiently broadcast messages to several nodes.

This paper is organized as follows: Section II describes the multi-hop WSN network topology. Section III presents a summary of Diversity Coding and DC-NC coding. The demonstration of the ability of DC-NC coding and DC to provide extremely high reliability, enable efficient transmission and faster recovery from multiple simultaneous data loss and link/node failures in multi-hop WSNs is presented in Section IV. The paper ends with concluding remarks in Section V.

II. SYSTEM MODEL

A WSN is a group of sensors that distributed at different locations to observe and collect environmental information and communicate the recorded data to a central node, often called a gateway [1]-[3]. Several topologies can be used to build the WSNs networks such as a star or fully mesh topology and multi-hop partial mesh topology [see Figure 1] [1]-[3]. Also, different wireless techniques may be utilized for WSN communications such as Zigbee [1], [3]. Each sensor node can receive and forward the information to the gateway either directly or via other sensor nodes [1]-[2]. The WSN sends the collected data to

the outside network via the gateway, which is considered a bridge between the WSN and the external network(s). The WSN might contain a few to several thousands of nodes based on the nature of the application and a battery is usually utilized as the energy source for these nodes [1]-[3]. Since sensor nodes often suffer from limited resources such as memory, energy, and computational capability [1]-[3], the reliability of the WSN might be affected. Therefore, it is required to design efficient techniques such as DC-NC coding that enhance the reliability of the WSN when data loss or link and/or node failures occur.

In this paper, DC-NC coding and DC are applied to maximize the reliability of a WSN with a multi-hop partial mesh topology where sensor nodes are connecting to each other by wireless links as shown in Fig. 1. The collected information is sent from sensor nodes to the gateway node, and commands and control data is transmitted from the gateway to the sensor nodes. In this study, it is focused on an uplink scenario, where sensor nodes send the collected data to the gateway nodes.

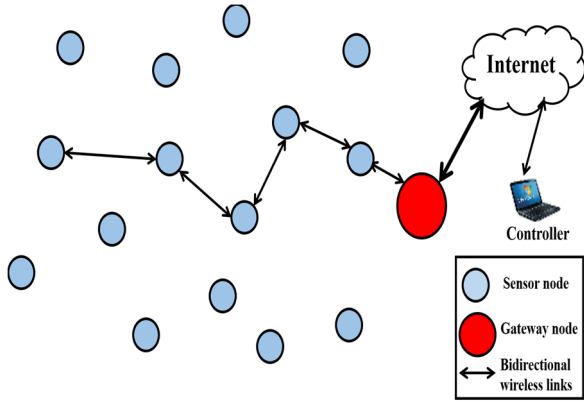


Fig. 1. Wireless Sensor Network with multi-hop partial mesh topology. Here, only some connections are shown to illustrate how the data is transmitted between the sensor node and the gateway node.

III. RELATED WORK

As high reliability and ultra-low recovery time are required for WSNs, any losing of a data stream and/or link/node failure cause rerouting and/or retransmissions. In addition, efficient transmission is always preferred to overcome the limited resources of WSN. In this section, a brief description of the principles of Diversity Coding is presented. Furthermore, the principle of DC-NC coding is explained to demonstrate its potential of improving the performance of WSNs and providing near-instantaneous recovery from data loss and/or link/node failures at the expense of redundant transmission.

A. Diversity Coding

Diversity Coding was introduced in [5]-[6] and its principal idea is depicted in Fig. 2. Here, disjoint paths are used to transmit equal rate digital data streams x_1, x_2, \dots, x_N to their destination. To clarify the idea of Diversity Coding, a point-to-point topology is considered where each data stream has been transmitted from the same source and end at the same receiver. Coded data c_1 , which is the logical XOR summation of the input data streams,

$$c_1 = x_1 \oplus x_2 \oplus \dots \oplus x_N = \bigoplus_{k=1}^N x_k \quad (1)$$

is transmitted on a disjoint path. If data stream x_i is lost and the loss is detected, the destination can immediately employ other received data streams and c_1 to form mod 2 addition between them as follows

$$c_1 \oplus \bigoplus_{\substack{k=1 \\ k \neq i}}^N x_k = x_i \oplus \bigoplus_{\substack{k=1 \\ k \neq i}}^N (x_k \oplus x_k) = x_i \quad (2)$$

Since $x_1, x_2, \dots, x_{i-1}, x_{i+1}, \dots, x_N$ are available at the receiver and $x_k \oplus x_k = 0$ (logical XOR operation). Therefore, the lost data stream x_i is recovered, nearly instantaneously, without retransmission, or rerouting. Other, more general, network topologies can utilize Diversity Coding such that the transmitting and/or receiving nodes are not at common nodes [13]. Note that the time to determine the facility loss, will be a lower bound on the recovery latency.

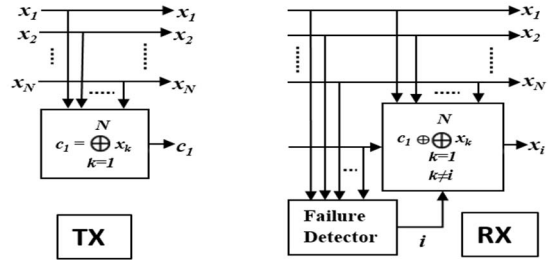


Fig. 2. The principle of Diversity Coding.

B. DC-NC Coding

DC-NC coding is produced from the synergy of Diversity Coding and Network Coding. The basic idea of DC-NC coding is illustrated in Fig. 3(a) [10], the source nodes 1 and 2 broadcast equal rate data streams x_1 and x_2 respectively to the destination nodes 5 and 6. Data streams x_1 and x_2 are collected in node 3, DC-NC encoding node, and encoded to produce the coded data c_1 and c_2 as follows:

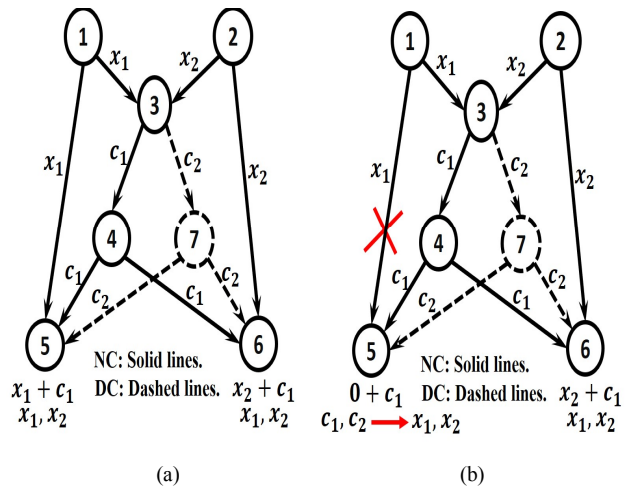


Fig. 3. (a) DC-NC network (b) DC-NC network with link failure.

$$c_1 = \beta_{11}x_1 + \beta_{21}x_2, \quad (3)$$

$$c_2 = \beta_{12}x_1 + \beta_{22}x_2, \quad (4)$$

where $[\beta_{ij}]$ is the parity generator matrix for c_1 and c_2 . Note that as multiplication and summation are performed in $GF(2^m)$, they correspond to the AND and XOR operations respectively. The coded data c_1 and c_2 then will be transmitted to nodes 4 and 7 respectively. Nodes 5 and 6 will receive c_1 from node 4. Node 5 simply decodes x_1 that is received directly from node 1 and c_1 that is received from node 4 to get x_2 as follows:

$$\tilde{c}_1 = c_1 + \beta_{11}x_1, \quad (5)$$

and applying (3) to (5),

$$\tilde{c}_1 = \beta_{11}x_1 + \beta_{21}x_2 + \beta_{11}x_1 = \beta_{21}x_2, \quad (6)$$

$$x_2 = \tilde{c}_1/\beta_{21}. \quad (7)$$

Therefore, broadcasted data streams x_1 and x_2 can be received by node 5. Note that the coefficients β_{ij} are fixed and known at all nodes. Similarly, node 6 decodes x_2 that is received directly from node 2 and c_1 that is received from node 4 to recover x_1 as follows:

$$\tilde{c}_1 = c_1 + \beta_{21}x_2, \quad (8)$$

and applying (3) to (8),

$$\tilde{c}_1 = \beta_{11}x_1 + \beta_{21}x_2 + \beta_{21}x_2 = \beta_{11}x_1, \quad (9)$$

$$x_1 = \tilde{c}_1/\beta_{11}. \quad (10)$$

So that node 6 can also receive x_1 and x_2 . Note that similar link capacity is assigned for each link in the network, which is equal to the data rate of the broadcasted data [10].

DC-NC throughput gain is enhanced by one-third which is similar to that of Network Coding [10]. However, reliability can be lost with any link failure and the destination nodes 5 and 6 will not get the targeted data streams.

Network reliability can be enhanced by sending c_2 from node 7 to nodes 5 and 6. The coded data c_2 will be ignored when there is no link failure. For example, in case the link from node 1 to node 5 fails as shown in Fig. 3(b), node 5 detects the failure then recovers x_1 and x_2 by utilizing c_1 and c_2 as follows:

Expressing (3) and (4) in a matrix form

$$\begin{bmatrix} c_1 \\ c_2 \end{bmatrix} = \begin{bmatrix} \beta_{11} & \beta_{21} \\ \beta_{12} & \beta_{22} \end{bmatrix} \begin{bmatrix} x_1 \\ x_2 \end{bmatrix}, \quad (11)$$

Using the inverse matrix transform, x_1 and x_2 can be easily recovered. The parameters β_{ij} 's should be chosen such that $\beta_{11}, \beta_{21}, \beta_{12}$ and β_{22} are linearly independent.

Therefore, node 5 obtains x_1 and x_2 as follows:

$$\begin{bmatrix} x_1 \\ x_2 \end{bmatrix} = \begin{bmatrix} \beta_{11} & \beta_{21} \\ \beta_{12} & \beta_{22} \end{bmatrix}^{-1} \begin{bmatrix} c_1 \\ c_2 \end{bmatrix}. \quad (12)$$

Furthermore, if c_1 lost, node 5 has x_1 directly and c_2 then can easily form

$$\tilde{c}_2 = c_2 + \beta_{12}x_1, \quad (13)$$

and applying (4) to (13)

$$\tilde{c}_2 = \beta_{12}x_1 + \beta_{22}x_2 + \beta_{12}x_1 = \beta_{22}x_2 \quad (14)$$

$$x_2 = \tilde{c}_2/\beta_{22}. \quad (15)$$

Similarly, data streams x_1 and x_2 can be recovered at node 6. It is shown in [10] that DC-NC coding has the ability to simultaneously recover from one link failure at each destination node (nodes 5 and 6).

Furthermore, in addition to link failure recovery, DC-NC coding can recover one intermediate node failure such as node 4 or node 7 [10]. Moreover, since DC-NC coding uses forward error control technology, ultra-low link failure recovery time can easily be achieved. As a result, there is no need to retransmit messages or perform rerouting. In this way, reliability is enhanced and efficient transmission is achieved by applying DC-NC coding as mathematically proved early in this subsection.

IV. APPLYING DC AND DC-NC CODING TO WSNs

Wireless Sensor Network resource limitations, such as limited energy and transmission bandwidth, in the presence of data loss and/or link/node failures, can cause degradation in throughput and reliability. DC-NC with DC within each link is a promising technology to maximize the reliability of WSNs while enabling low energy cost for data loss and/or link/node failure recovery and providing efficient transmission in broadcast applications.

As shown below, DC-NC coding is applied to a wireless multi-hop sensor network and only DC is applied within each link. Considering that each wireless link has the ability to carry for example (for simplicity) three data streams, two raw data streams and one coded data stream such that the data will be protected at each link. At the same time, DC-NC is applied at the network level as shown in Fig. 4. Here, bi-directional wireless links connect sensor nodes and gateway nodes to each other in a multi-hop partial mesh topology. An uplink multipoint-to-multipoint network topology models the broadcasting of four data streams, x_1 and x_2 from sensor node S1 and x_3 and x_4 from the sensor node S2 to two gateways G1 and G2. It is assumed that these two gateways are working in active/stand by (ACT/STBY) mode to eliminate single points of failure and to make sure that the required data is collected from sensor nodes i.e. even if one gateway fails for any reason, the collected information will still arrive to the user. In order to broadcast two raw data streams x_1 and x_2 from sensor node S1 and another group of two raw data streams x_3 and x_4 from sensor node S2 to two gateway nodes G1 and G2, S1 and S2 will form two coded data streams c_{1l} and c_{2l} respectively to protect the raw data streams as follows:

$$c_{1l} = x_1 + x_2, \quad (16)$$

$$c_{2l} = x_3 + x_4, \quad (17)$$

where c_{jl} represents Diversity Coded data stream within each link. Then S1 will transmit the data streams x_1, x_2 , and c_{1l} to G1 via S4 and S7. Also, S2 will transmit the data streams x_3, x_4 , and c_{2l} to G2 via S5 and S8. Note that c_{1l} and c_{2l} are utilized to protect the raw data streams at each hop until arriving to the

destination nodes (G1 and G2 respectively). The sensor node S3, DC-NC encoding node, will receive data streams x_1, x_2 , and c_{1l} from S1 and data streams x_3, x_4 , and c_{2l} from S2 and if there is no error in the raw data streams (by checking via a CRC check), c_{1l} and c_{2l} will be ignored then S3 will form new coded data streams as follows:

$$c_{1N} = \beta_{11}x_1 + \beta_{21}x_2 + \beta_{31}x_3 + \beta_{41}x_4, \quad (18)$$

$$c_{2N} = \beta_{12}x_1 + \beta_{22}x_2 + \beta_{32}x_3 + \beta_{42}x_4, \quad (19)$$

$$c_{3N} = \beta_{13}x_1 + \beta_{23}x_2 + \beta_{33}x_3 + \beta_{43}x_4, \quad (20)$$

$$c_{4N} = \beta_{14}x_1 + \beta_{24}x_2 + \beta_{34}x_3 + \beta_{44}x_4, \quad (21)$$

$$c_{3l} = c_{1N} + c_{2N}, \quad (22)$$

$$c_{4l} = c_{3N} + c_{4N}, \quad (23)$$

where c_{kN} represents the DC-NC coded data stream and $[\beta_{ij}]$ is the parity generator matrix for c_{kN} . Note that as multiplication and summation are performed in $GF(2^m)$, they correspond to the AND and XOR operations respectively. To obtain the throughput gains, the coded data streams c_{1N}, c_{2N} , and c_{3l} are sent to G1 and G2 via S6 and S9. Note that c_{3l} is used to protect the DC-NC coded data streams at each hop until arriving to the destination nodes (G1 and G2). At G1, if there is no error in the data streams (by checking via a CRC check), c_{1l} and c_{3l} will be ignored and raw data streams x_3 and x_4 will be obtained as follows:

$$\tilde{c}_{1N} = c_{1N} + \beta_{11}x_1 + \beta_{21}x_2, \quad (24)$$

$$\tilde{c}_{2N} = c_{2N} + \beta_{12}x_1 + \beta_{22}x_2, \quad (25)$$

and applying (18) and (19) to (24) and (25) respectively,

$$\tilde{c}_{1N} = \beta_{11}x_1 + \beta_{21}x_2 + \beta_{31}x_3 + \beta_{41}x_4 + \beta_{11}x_1 + \beta_{21}x_2,$$

$$\tilde{c}_{2N} = \beta_{12}x_1 + \beta_{22}x_2 + \beta_{32}x_3 + \beta_{42}x_4 + \beta_{12}x_1 + \beta_{22}x_2,$$

$$\tilde{c}_{1N} = \beta_{31}x_3 + \beta_{41}x_4, \quad (26)$$

$$\tilde{c}_{2N} = \beta_{32}x_3 + \beta_{42}x_4, \quad (27)$$

expressing (26) and (27) in a matrix form

$$\begin{bmatrix} \tilde{c}_{1N} \\ \tilde{c}_{2N} \end{bmatrix} = \begin{bmatrix} \beta_{31} & \beta_{41} \\ \beta_{32} & \beta_{42} \end{bmatrix} \begin{bmatrix} x_3 \\ x_4 \end{bmatrix}, \quad (28)$$

an inverse matrix transform is used to directly obtain x_3 and x_4 as follows:

$$\begin{bmatrix} x_3 \\ x_4 \end{bmatrix} = \begin{bmatrix} \beta_{31} & \beta_{41} \\ \beta_{32} & \beta_{42} \end{bmatrix}^{-1} \begin{bmatrix} \tilde{c}_{1N} \\ \tilde{c}_{2N} \end{bmatrix}. \quad (29)$$

The parameters β_{ij} 's should be chosen such that they are linearly independent. Hence, G1 will get all broadcast data streams. Similarly, raw data streams x_1 and x_2 can be obtained at G2 and it will get all broadcast data streams. It is worth noting that the throughput gain of this example network is similar to that of well-known butterfly Network Coding topology [9].

In the presence of a link failure, WSN reliability can be improved by transmitting c_{3N}, c_{4N} and c_{4l} from S3 to G1 and G2 via S10 and S11. The coded data streams c_{3N}, c_{4N} and c_{4l}

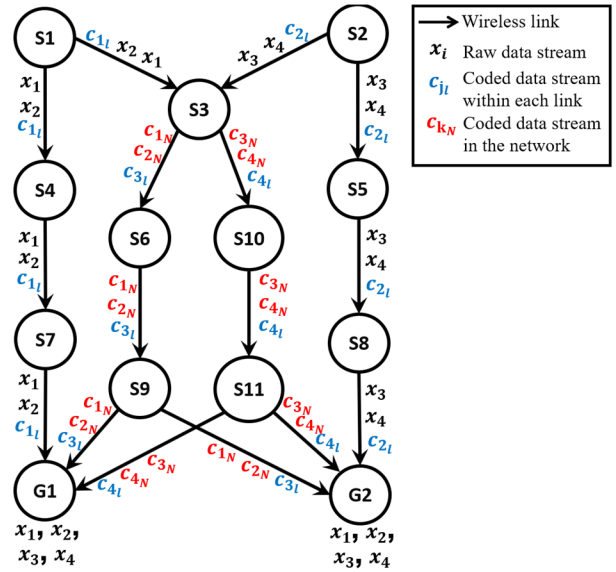


Fig. 4. Example of DC and DC-NC coding to broadcast four data streams from sensor nodes S1 and S2 to gateway nodes G1 and G2 applied to a multi-hop WSN.

will be ignored when there is no link failure. In the presence of a link failure, for example if the link from S7 to G1 fails, G1 detects the failure and then recovers x_1, x_2, x_3 and x_4 by utilizing c_{1N}, c_{2N}, c_{3N} and c_{4N} (assuming that the DC-NC coded data streams arrive at G1 with no error (checking via CRC) and c_{3l} and c_{4l} are ignored) as follows:

expressing (18)-(21) in a matrix form

$$\begin{bmatrix} c_{1N} \\ c_{2N} \\ c_{3N} \\ c_{4N} \end{bmatrix} = \begin{bmatrix} \beta_{11} & \beta_{21} & \beta_{31} & \beta_{41} \\ \beta_{12} & \beta_{22} & \beta_{32} & \beta_{42} \\ \beta_{13} & \beta_{23} & \beta_{33} & \beta_{43} \\ \beta_{14} & \beta_{24} & \beta_{34} & \beta_{44} \end{bmatrix} \begin{bmatrix} x_1 \\ x_2 \\ x_3 \\ x_4 \end{bmatrix}, \quad (30)$$

It is mentioned earlier that β_{ij} are known and fixed at all nodes and they should be chosen such that they are linearly independent. Hence, the required data streams can be easily recovered at G1 via inverse matrix transformation as follows:

$$\begin{bmatrix} x_1 \\ x_2 \\ x_3 \\ x_4 \end{bmatrix} = \begin{bmatrix} \beta_{11} & \beta_{21} & \beta_{31} & \beta_{41} \\ \beta_{12} & \beta_{22} & \beta_{32} & \beta_{42} \\ \beta_{13} & \beta_{23} & \beta_{33} & \beta_{43} \\ \beta_{14} & \beta_{24} & \beta_{34} & \beta_{44} \end{bmatrix}^{-1} \begin{bmatrix} c_{1N} \\ c_{2N} \\ c_{3N} \\ c_{4N} \end{bmatrix}. \quad (31)$$

Also, if the link between S9 and G1 fails, c_{1N} and c_{2N} are lost, G1 has x_1, x_2, c_{3N} , and c_{4N} then can quickly and easily recover x_3 and x_4 as shown below:

$$\tilde{c}_{3N} = c_{3N} + \beta_{13}x_1 + \beta_{23}x_2, \quad (32)$$

$$\tilde{c}_{4N} = c_{4N} + \beta_{14}x_1 + \beta_{24}x_2, \quad (33)$$

and applying (20) and (21) to (32) and (33) respectively,

$$\tilde{c}_{3N} = \beta_{13}x_1 + \beta_{23}x_2 + \beta_{33}x_3 + \beta_{43}x_4 + \beta_{13}x_1 + \beta_{23}x_2,$$

$$\tilde{c}_{4N} = \beta_{14}x_1 + \beta_{24}x_2 + \beta_{34}x_3 + \beta_{44}x_4 + \beta_{14}x_1 + \beta_{24}x_2,$$

$$\tilde{c}_{3N} = \beta_{33}x_3 + \beta_{43}x_4, \quad (34)$$

$$\tilde{c}_{4N} = \beta_{34}x_3 + \beta_{44}x_4, \quad (35)$$

expressing (34) and (35) in a matrix form

$$\begin{bmatrix} \tilde{c}_{3N} \\ \tilde{c}_{4N} \end{bmatrix} = \begin{bmatrix} \beta_{33} & \beta_{43} \\ \beta_{34} & \beta_{44} \end{bmatrix} \begin{bmatrix} x_3 \\ x_4 \end{bmatrix}, \quad (36)$$

the data streams x_3 and x_4 are easily recovered using the inverse matrix transformation as follows:

$$\begin{bmatrix} x_3 \\ x_4 \end{bmatrix} = \begin{bmatrix} \beta_{33} & \beta_{43} \\ \beta_{34} & \beta_{44} \end{bmatrix}^{-1} \begin{bmatrix} \tilde{c}_{3N} \\ \tilde{c}_{4N} \end{bmatrix}. \quad (37)$$

Similarly, G2 can obtain the required data streams in the presence of any link failure.

Note that since there are three wireless links at each path in this example network, the DC-NC coding has the ability to recover the required data streams even if all links at the path fail simultaneously because a path is considered a failure as long as there is a link failure regardless the number of failed links

Furthermore, not only link failures can be recovered by DC-NC coding in this example multi-hop WSN network. Intermediate node failures such as S4 and/or S7, S5 and/or S8, or S6 and/or S9 can be tolerated since this corresponds to one path failure at each destination node. This means two intermediate nodes at each path in this example network can be tolerated via DC-NC coding for the same reason that explained above. Also, when failures occur at S10 and/or S11, c_{3N} and c_{4N} will be lost, that is protection of the network, but, if these are the only failures, successful data communication can still be achieved.

In case of losing a data stream or a high level of errors is determined (via a CRC check) within each wireless link between S1 and S4 and between S2 and S5, nodes S4 and S5 will form the XOR operation between the corrected received data streams and then transmit the result, which is the lost data stream with other received two data streams to nodes S7 and S8 respectively. Similarly, in case of losing a data stream within each wireless link between the following pair of nodes (S4 - S7), (S3 - S6), (S5 - S8), and (S3 - S10), nodes S7, S6, S8, and S10 will do the same process that explained above. Furthermore, the same procedure will be applied in case of any error in a data stream between the following pair of nodes (S7 - G1), (S6 - S9), (S9 - G1), (S9 - G2), (S8 - G2), (S10 - S11), (S11 - G1), and (S11 - G2).

In order to show how losing data streams are recovered in the network, the reliability of path (S1-S4-S7-G1) is studied as follows:

In the first hop, the data streams x_1, x_2 , and c_{1l} are sent to S4. In case of losing a data stream or a high level of errors (by a CRC check), e.g. losing the data stream x_1 , S4 forms the following:

$$x_2 \oplus c_{1l} = x_1, \quad (38)$$

In the second hop, the data streams x_2, c_{1l} , and x_1 are transmitted to S7. In case of losing a data stream, e.g. losing the data stream x_2 , S7 forms the following:

$$c_{1l} \oplus x_1 = x_2, \quad (39)$$

In the third (last, in this example network) hop, the data streams c_{1l}, x_1 , and x_2 are sent to G1. In case of a data stream in error, e.g. the data stream c_{1l} is in error, there will be no need to recover c_{1l} since G1 received x_1 and x_2 with no error. Assuming that G1 receives c_{1N} and c_{2N} with no errors it will have x_1, x_2, c_{1N} , and c_{2N} , so, G1 can easily obtain x_3 and x_4 as shown in (24)-(29). Similarly, other failure scenarios can be handled in a similar manner to recover the data.

Here, data streams will be protected at each hop via DC as shown in the path (S1 - S4 - S7 - G1). In this way, each path is protected from the loss of one data stream such that in this example network each path can tolerate losing three data streams (one for each hop). In addition, for this example network, the loss of ten simultaneous data streams can be tolerated for the entire network (one for each hop). This means the total number of lost data streams that can be tolerated equals the number of hops in the entire WSN. Moreover, by applying DC-NC, one path failure (i.e. three wireless links and two intermediate nodes for each path in this example network) can be tolerated for each destination node. Furthermore, the throughput gain of this example network is similar to that of well-known Network Coding butterfly topology.

There is no need to simulate the results in this paper because the link failure and/or data loss is considered independently of the failure mode and it is mathematically proven how the multi-hop WSN network can be enhanced and protected by DC at each hop and DC-NC for the entire network. Of course, the recovery time is lower bounded by the time to detect a failure.

V. CONCLUSIONS

This paper presented the application of the recently introduced coding technique, DC-NC, that synergistically combines Diversity Coding and Network Coding, to improve the performance of multi-hop WSNs. In addition, Diversity Coding is applied to each link in the WSN to protect the data streams from being lost or being in error. It has been demonstrated that DC-NC can simultaneously recover from multiple link/node failures at each path nearly-instantaneously. Furthermore, using DC, one lost data stream can be tolerated at each hop i.e. the total number of tolerated data streams equals the number of hops in the entire WSN. Applying DC-NC network coding and DC in the links improves the WSNs reliability and enables near-instant recovery from multiple wireless link/node failures and multiple lost data streams (one for each hop), while simultaneously improving the throughput in the WSN network.

ACKNOWLEDGMENT

Nabeel I. Sulieman is supported by the Higher Committee for Education Development in Iraq (HCED-IRAQ).

REFERENCES

- [1] A. Nayak and I. Stojmenovic, *Wireless Sensor and Actuator Networks*. Hoboken, NJ: John Wiley & Sons, Inc., 2010.
- [2] I. F. Akyildiz, W. Su, Y. Sankarasubramaniam, and E. Cayirci, "Wireless sensor networks: a survey," *Computer Networks journal (Elsevier)*, 38:393-422, 2002.

- [3] Silicon Laboratories, Inc. Silicon Labs. <<https://www.silabs.com/documents/public/white-papers/evolution-of-wireless-sensor-networks.pdf>>.
- [4] K. Ozaki, N. Hayashibara, T. Enokido, and M Takizawa, "Fault-Tolerant Semi-Passive Coordination Protocol for a Multi-Actuator/Multi-Sensor (MAMS) Model," *IEEE Second International Conference on Availability, Reliability and Security (ARES'07)*, Vienna, Austria, April 2007.
- [5] E. Ayanoglu, C.-L. I, R. D. Gitlin, and J. E. Mazo, "Diversity Coding: Using error control for self-healing in communication networks," in Proc. *IEEE INFOCOM'90*, San Francisco, CA, June 1990, pp. 95–104, vol. 1.
- [6] E. Ayanoglu, C.-L. I, R. D. Gitlin, and J. E. Mazo, "Diversity Coding for transparent self-healing and fault-tolerant communication networks," *IEEE Trans. Commun.*, vol. 41, pp. 1677–1686, Nov. 1993.
- [7] N. Sulieman, K. Davaslioglu, and R. D. Gitlin, "Link failure recovery via Diversity Coding in 5G fronthaul wireless networks," *IEEE Wireless and Microwave Technology Conference*, Cocoa Beach, FL, April 2017.
- [8] N. Sulieman, K. Davaslioglu, and R. D. Gitlin, "Diversity coded 5G fronthaul wireless networks," *IEEE Wireless Telecommunication Symposium*, Chicago, IL, April 2017.
- [9] R. Ahlswede, N. Cai, S.-Y. R. Li, and R. W. Yeung, "Network information flow," *IEEE Trans. Inform. Theory*, vol. 46, no. 4, pp. 1204–1216, July 2000.
- [10] N. I. Sulieman, E. Balevi, K. Davaslioglu, and R. D. Gitlin, "Diversity and Network coded 5G fronthaul wireless networks for ultra reliable and low latency communications," *IEEE International Symposium on Personal, Indoor and Mobile Radio Communications*, Montreal, QC, Canada, Oct. 2017.
- [11] N. I. Sulieman, E. Balevi, and R. D. Gitlin, "Reliable and resilient coordinated multi point fronthaul networks," *IEEE Wireless and Microwave Technology Conference*, Sand Key, FL, April 2018.
- [12] N. Siasi, N. I. Sulieman, and R. D. Gitlin, "Ultra-reliable NFV-based 5G networking using diversity and network coding," *IEEE Wireless and Microwave Technology Conference*, Sand Key, FL, April 2018.
- [13] S. N. Avci, X. Hu, and E. Ayanoglu, "Hitless recovery from link failures in networks with arbitrary topology," in Proc. *Information Theory and Applications Workshop*, San Diego, CA, Feb. 2011.